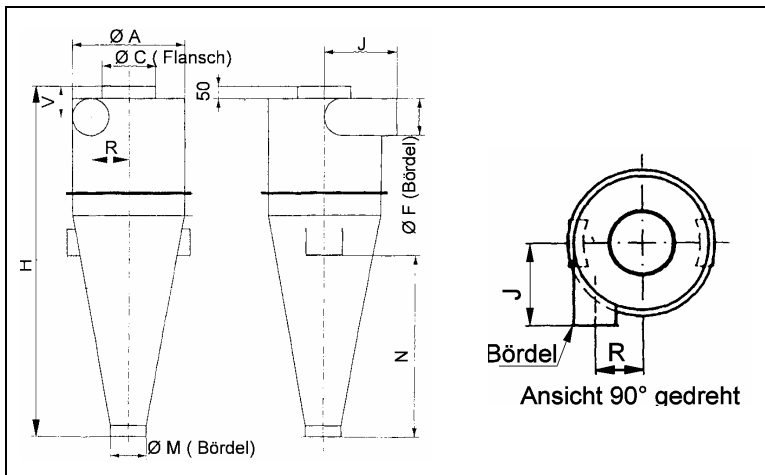
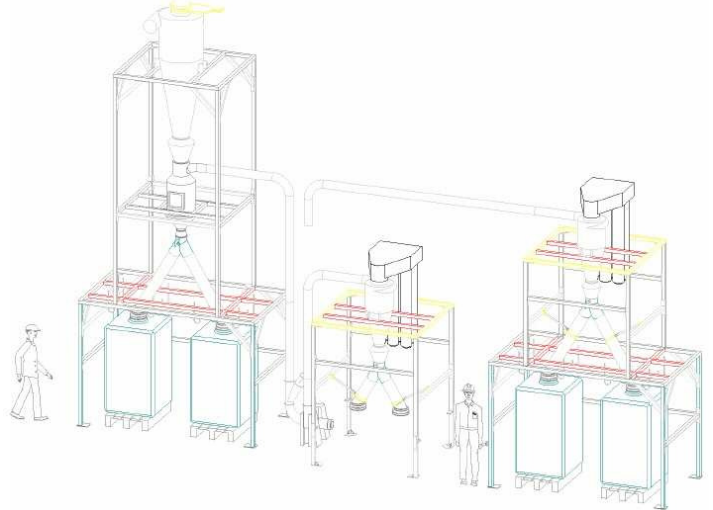


Projektberatung, Planung, Realisierung

Cyclone Separator with pipe inlet Type "N"

Separation capacity from
320 m³/h bis 10.800 m³/h

Standard steel, powder coated RAL 7032,
or stainless steel (i.e. 1.4301)
steel thicknesses s = 2 mm.
inlet and outlet clamp type flanged rim
depth pipe relevant to type
flange rim or formed flange



Order number, cyclone size

Cyclone type "N", Ingenieurbüro Paul König.																	
Order number	E70.29.00-01	E70.29.00-02	E70.29.00-03	E70.29.00-04	E70.29.00-05	E70.29.00-06	E70.29.00-07	E70.29.00-08	E70.29.00-09	E70.29.00-10	E70.29.00-11	E70.29.00-12	E70.29.00-13	E70.29.00-14	E70.29.00-15	E70.29.00-16	
Cyclone-size (XX)	01	02	03	04	05	06	07	08	09	10	11	12	13	14	15	16	Cyclone-size (XX)
Nominal output m ³ /h	320	400	500	635	800	975	1.260	1.590	2.000	2.520	3.170	4.000	5.000	6.330	7.940	10.800	Nominal output m ³ /h
Ø A-outer (mm)	315	355	400	450	500	560	630	710	800	900	1.000	1.120	1.250	1.420	1.590	1.854	Ø A-outer (mm)
H-total (mm)	935	1.061	1.143	1.313	1.439	1.615	1.753	1.958	2.187	2.444	2.762	3.048	3.388	3.800	4.253	4.998	H-total t (mm)

The nominal output are standard values. There will be no liability for the degree of separation nor the life expectancy of the cyclone.
We reserve the right to modify the dimensions and design at any time.